

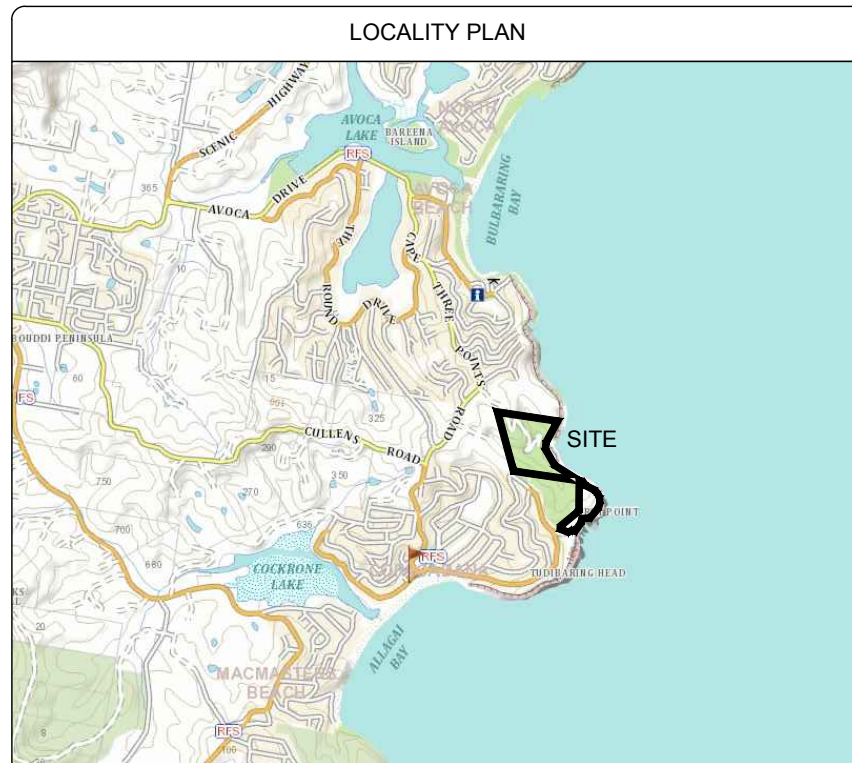


PROPOSED WINNEY BAY CLIFFTOP WALK, 5 LANDS COASTAL WALKWAY - STAGE 5, CAPTAIN COOK LOOKOUT - WINNEY BAY

AT
COPACABANA, NSW

FOR
GOSFORD CITY COUNCIL

A4 SERIES - BRIDGE STRUCTURAL PLANS AND DETAILS



DRAWING LIST	
A4.01	COVER SHEET
A4.02	STRUCTURAL NOTES
A4.03	DETAIL BRIDGE PLAN
A4.04	BRIDGE PILING AND ABUTMENT SETOUT PLAN
A4.05	BRIDGE PILE AND ABUTMENT STRUCTURAL DETAIL
A4.06	BRIDGE BEARING PAD DETAILS
A4.07	TYPICAL BRIDGE ELEVATION
A4.08	TYPICAL BRIDGE SECTION
A4.09	STRUCTURAL CONNECTION DETAILS SHEET 1

NEW BRIDGE: 2015

DESIGN STANDARD: AS 5100-2004; BRIDGE DESIGN
ALLOWANCE FOR SUPERIMPOSED DEAD LOADS: 0.5 kPa (SERVICEABILITY)
EARTHQUAKE LOADING (TO BRIDGE CODE - AS5100):
BRIDGE CLASSIFICATION: TYPE I
IMPORTANCE FACTOR: 3.0
ACCELERATION COEFFICIENT: a = 0.11
SITE FACTOR: s = 1.0
DESIGN CATEGORY: BEDC-1
WIND LOADING:
DESIGN WIND SPEED = 102.8m/s
SERVICEABILITY WIND SPEED = 79.2m/s
REFERENCE REPORTS:
GEOTECHNICAL INVESTIGATION REPORTS:
BY DOUGLAS PARTNERS Pty. Ltd., REPORT No. 84701.00, DATED APRIL 2015
& BY PELLIS SULLIVAN MEYNINK; REFERENCE PSM1984-002R DATED 15 OCTOBER 2012
(CONCEPT DESIGN, NOT FOR CONSTRUCTION, SUBJECT TO DYNAMIC ANALYSIS TO AS5100)



Postal Address: PO Box 1180, Gosford NSW 2250

Central Coast Office: Suite 35, The Avenue,
Mt Penang
Parklands, Kariang NSW 2250
Ph 02 4340 1911 Fax 02 4340 1544

Newcastle Office: Shop 113, The Junction
Village Centre, Kenrick Street,
The Junction NSW 2291
Ph 02 4962 4414

CONCEPT PLANS
NOT FOR CONSTRUCTION

DO NOT SCALE DRAWINGS. VERIFY ALL DIMENSIONS ON SITE.

REVISION	DESCRIPTION	DATE	REVISION	DESCRIPTION	DATE
A	PRELIMINARY ISSUE TO QUANTITY SURVEYOR	05.06.15			
B	RE-ISSUE TO QUANTITY SURVEYOR	24.06.15			
C	90% ISSUE	29.06.15			
D	COUNCIL APPROVAL	19.08.15			

<p>Postal Address: PO Box 1180, Gosford NSW 2250 Central Coast Office: Suite 35, The Avenue, Mt Penang, Parklands, Kariang NSW 2250 Ph 02 4340 1911 Fax 02 4340 1544 Newcastle Office: Shop 113, The Junction Village Centre, Kenrick Street, The Junction NSW 2291 Ph 02 4962 4414</p>			ADDRESS WINNEY BAY RESERVE COPACABANA N.S.W. PROJECT 5 LANDS COASTAL WALKWAY - STAGE 5 CAPTAIN COOK LOOKOUT TO WINNEY BAY	DRAWING TITLE COVER SHEET ANTHONY JOHN GRIFFITHS MIE AUST CPENG 2342830	<table border="1"> <tr><td>SCALE</td><td>1:200</td><td>INT.</td><td>SHEET</td></tr> <tr><td>DRAWN</td><td>JG/CW</td><td></td><td>A4.01</td></tr> <tr><td>DESIGNED</td><td>CF</td><td></td><td></td></tr> <tr><td>CHECKED</td><td>AJG</td><td></td><td></td></tr> <tr><td>DATE</td><td>JANUARY 2015</td><td></td><td></td></tr> <tr><td>JOB NUMBER</td><td>20140492</td><td></td><td></td></tr> </table>	SCALE	1:200	INT.	SHEET	DRAWN	JG/CW		A4.01	DESIGNED	CF			CHECKED	AJG			DATE	JANUARY 2015			JOB NUMBER	20140492			
SCALE	1:200	INT.	SHEET																											
DRAWN	JG/CW		A4.01																											
DESIGNED	CF																													
CHECKED	AJG																													
DATE	JANUARY 2015																													
JOB NUMBER	20140492																													

LOT 1
D.P. 545040

NOMINAL LOCATION OF BRIDGE FOUNDATION. BRIDGE FOUNDATION TO BE FOUNDED 6m MIN. FROM THE CURRENT CLIFF CREST EDGE IN ACCORDANCE WITH GEOTECHNICAL REPORT PREPARED BY PELLIS SULLIVAN MEYNINK, REF: PSM1984-002R. REFER TO 'A4' SERIES PLANS FOR BRIDGE ABUTMENT AND HEADSTOCK DETAILS.

BRIDGE STRUCTURE SUSPENDED OVER CLIFF FACE IN THIS LOCATION. REFER TO 'A4' SERIES DRAWINGS FOR BRIDGE STRUCTURE DETAILS

NOMINAL LOCATION OF BRIDGE FOUNDATION. BRIDGE FOUNDATION TO BE FOUNDED 6m MIN. FROM THE CURRENT CLIFF CREST EDGE IN ACCORDANCE WITH GEOTECHNICAL REPORT PREPARED BY PELLIS SULLIVAN MEYNINK, REF: PSM1984-002R. REFER TO 'A4' SERIES PLANS FOR BRIDGE ABUTMENT AND HEADSTOCK DETAILS.

ALTERNATE TRACK ROUTE FOR PEDESTRIAN AND SERVICE VEHICLE ACCESS. GRADIENT FOR THIS SECTION EXCEEDS THE MINIMUM FOR WHEELCHAIR ACCESS.

PROPOSED STAIRS

REFER TO SHEET A4.07-A4.09 FOR SUSPENDED WALKWAY ELEVATION AND DETAILS

WHEEL CHAIR ACCESS TO BE IN ACCORDANCE WITH AS1428. REFER TO 'A3' SERIES PLANS FOR PATH LEVELS AND DETAILS

PROPOSED SUSPENDED BRIDGE STRUCTURE SHOWN HATCHED. REFER TO A4 SERIES DRAWINGS FOR BRIDGE STRUCTURE DETAILS

APPROX LOCATION OF EXISTING TRACK







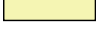

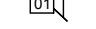

3 METRE OFFSET LINE FROM CLIFF CREST EDGE
6 METRE OFFSET LINE FROM CLIFF CREST EDGE

DETAIL BRIDGE PLAN
SCALE 1:200

DO NOT SCALE DRAWINGS. VERIFY ALL DIMENSIONS ON-SITE

CONCEPT PLANS
NOT FOR CONSTRUCTION

LEGEND

-  SOUTH PACIFIC OCEAN
-  LAND / GROUND (EXTENTS ARE INDICATIVE ONLY)
-  PROPOSED WALKWAY/MARKET STALL PAVEMENT AREA
-  DENOTES PROPOSED FOOTPATH LANDING IN ACCORDANCE WITH AS1428
-  DENOTES PROPOSED ELEVATED FOOTBRIDGE/FOOTPATH IN ACCORDANCE WITH AS1428
-  PROPOSED SANDSTONE BLOCK RETAINING WALL
-  PROPOSED SERVICE TRENCH LOCATION
-  PROPOSED HANDRAIL ALONG FOOTPATH ALIGNMENT
-  INDICATES POSITION OF PHOTO / IMAGE
-  PROPOSED BATTER. SLOPE VARIES. REFER TO TYPICAL PAVEMENT SECTIONS FOR BATTER SLOPES

REVISION	DESCRIPTION	DATE	REVISION	DESCRIPTION	DATE
A	PRELIMINARY ISSUE TO QUANTITY SURVEYOR	05.06.15			
B	RE-ISSUE TO QUANTITY SURVEYOR	24.06.15			
C	90% ISSUE	29.06.15			
D	COUNCIL APPROVAL	19.08.15			



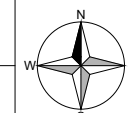
Postal Address: PO Box 1180, Gosford NSW 2250
 Central Coast Office: Suite 35, The Avenue, Mt Penang, Pottsville, Kariong NSW 2250
 Ph 02 4340 1911 Fax 02 4340 1544
 Newcastle Office: Shop 113, The Junction Village Centre, Kennick Street, The Junction NSW 2291
 Ph 02 4902 4414

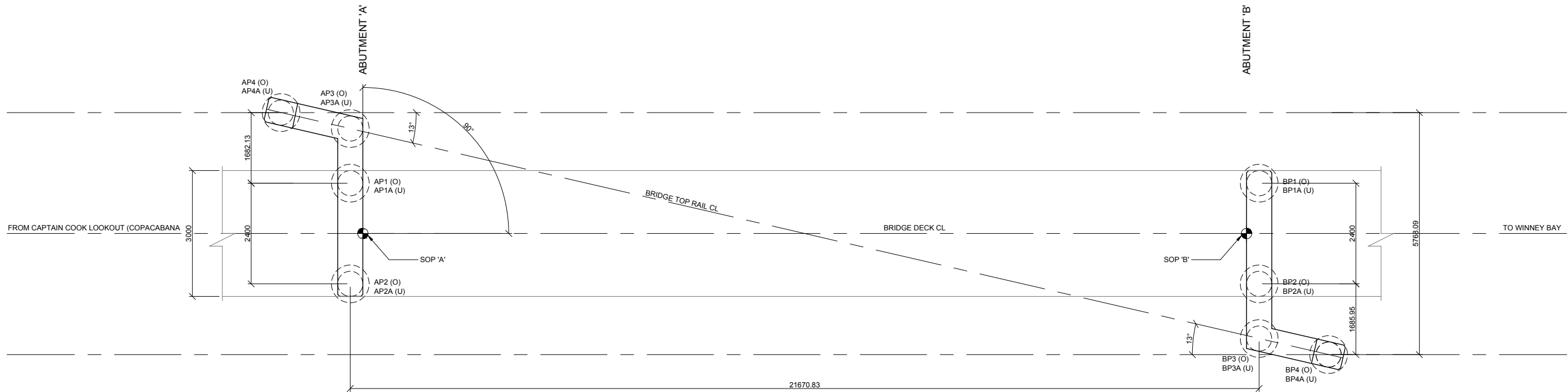


ADDRESS WINNEY BAY RESERVE COPACABANA N.S.W.
 PROJECT 5 LANDS COASTAL WALKWAY - STAGE 5 CAPTAIN COOK LOOKOUT TO WINNEY BAY

DRAWING TITLE
 DETAIL BRIDGE PLAN
 ANTHONY JOHN GRIFFITHS
 MIE AUST CPENG 2342830

SCALE	1:200	INIT.	SHEET
DRAWN	JG/CW		A4.03
DESIGNED	CF		
CHECKED	AJG		
DATE	JANUARY 2015		
JOB NUMBER	20140492		

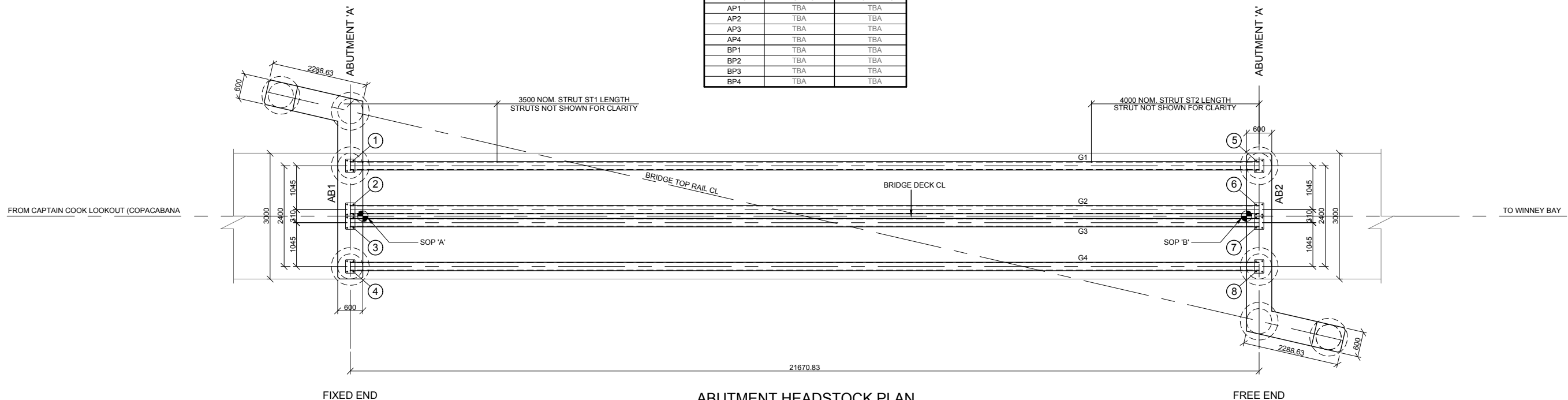




PILING SETOUT PLAN
Scale 1:50

SETOUT POINT DETAILS			
SETOUT POINT	EASTING	NORTHING	COMMENTS
SOP 'A'	TBA	TBA	CENTRE OF ABUTMENT HEADSTOCK
SOP 'B'	TBA	TBA	CENTRE OF ABUTMENT HEADSTOCK

PILES SETOUT CO-ORDINATES		
PILE SETOUT CO-ORDINATES LISTED BELOW ARE MEASURED AT THE UNDERSIDE OF THE ABUTMENT		
PILE No.	EASTING	NORTHING
AP1	TBA	TBA
AP2	TBA	TBA
AP3	TBA	TBA
AP4	TBA	TBA
BP1	TBA	TBA
BP2	TBA	TBA
BP3	TBA	TBA
BP4	TBA	TBA



ABUTMENT HEADSTOCK PLAN
Scale 1:50

TOP OF BEARING R.L.'s			
BEARING No.	TOP OF BEARING R.L.	BEARING No.	TOP OF BEARING R.L.
1	TBA	5	TBA
2	TBA	6	TBA
3	TBA	7	TBA
4	TBA	8	TBA

**CONCEPT PLANS
NOT FOR CONSTRUCTION**

DO NOT SCALE DRAWINGS. VERIFY ALL DIMENSIONS ON SITE.

REVISION	DESCRIPTION	DATE	REVISION	DESCRIPTION	DATE
A	RE-ISSUE TO QUANTITY SURVEYOR	24.06.15			
B	90% ISSUE	29.06.15			
C	COUNCIL APPROVAL	19.08.15			



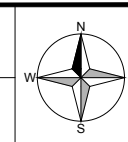
Postal Address: PO Box 1180, Gosford NSW 2250
 Central Coast Office: Suite 35, The Avenue, Mt Penang, Piarlandsie, Kariong NSW 2250
 Ph 02 4340 1911 Fax 02 4340 1544
 Newcastle Office: Shop 113, The Junction Village Centre, Kennick Street, The Junction NSW 2291
 Ph 02 4992 4414



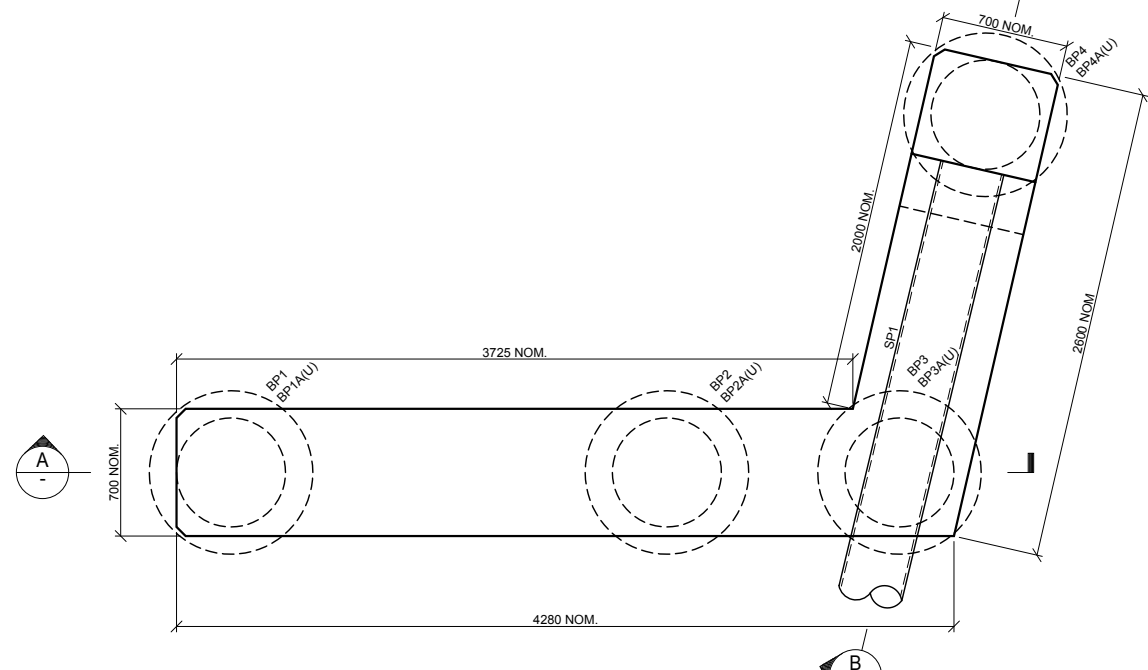
ADDRESS: WINNEY BAY RESERVE COPACABANA N.S.W.
 PROJECT: 5 LANDS COASTAL WALKWAY - STAGE 5 CAPTAIN COOK LOOKOUT TO WINNEY BAY

DRAWING TITLE: BRIDGE PILING AND ABUTMENT SETOUT PLAN
 ANTHONY JOHN GRIFFITHS
 MIE AUST CPENG 2342830

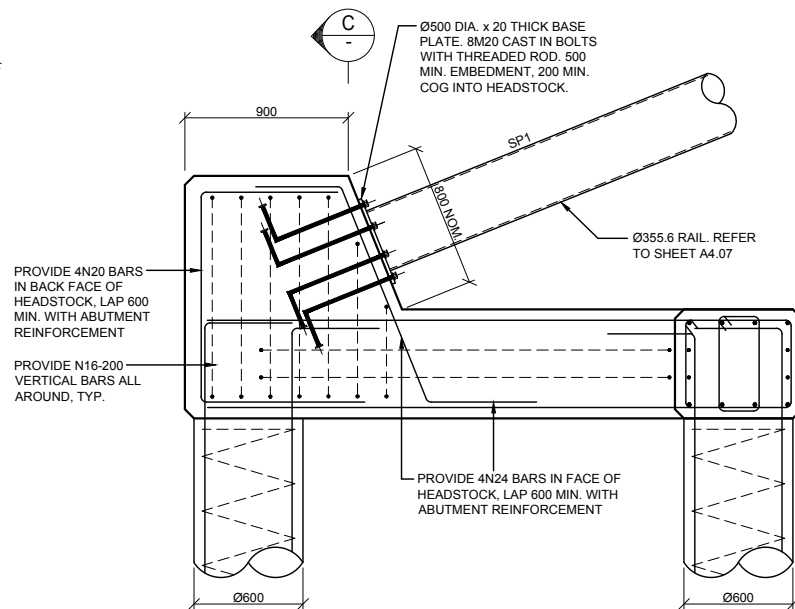
SCALE	1:100	INIT.	SHEET
DRAWN	JG/CW		A4.04
DESIGNED	CF		
CHECKED	AJG		
DATE	JANUARY 2015		
JOB NUMBER	20140492		



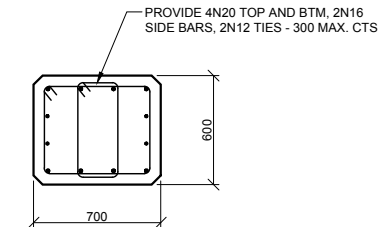
A1



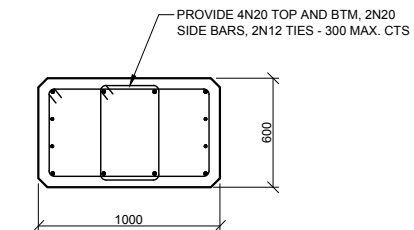
TYPICAL BRIDGE ABUTMENT HEADSTOCK - AB2
AB1 SIMILAR
Scale 1:20



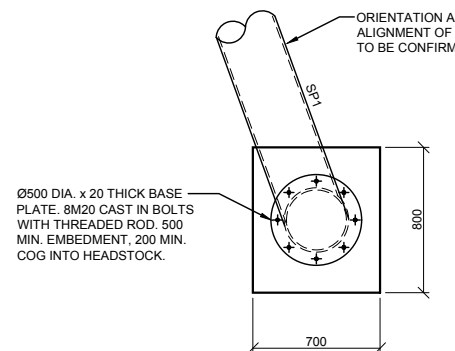
SECTION B
1:20 - A1



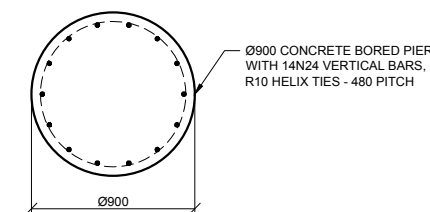
TYPICAL BRIDGE ABUTMENT HEADSTOCK - AB1
AB2 SIMILAR
Scale 1:20



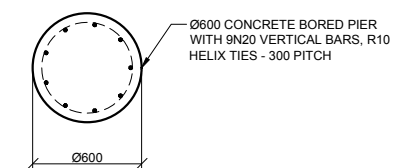
TYPICAL BRIDGE ABUTMENT HEADSTOCK - AB3
AB4 SIMILAR
Scale 1:20



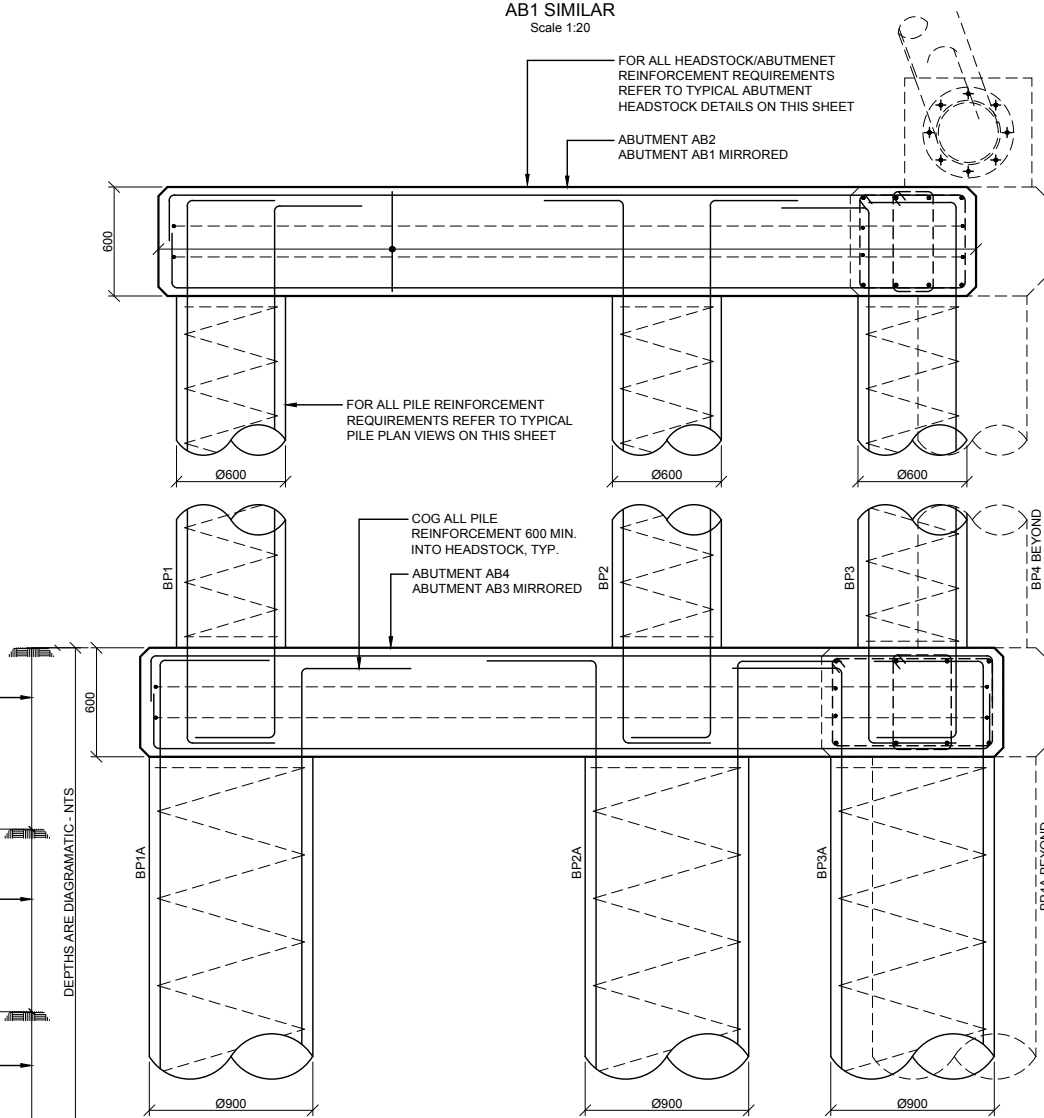
SECTION C
1:20 - A1



TYPICAL PILE - BP1A/BP2A/BP3A/BP4A
AP1A/AP2A/AP3A /AP4A SIMILAR
Scale 1:20



TYPICAL PILE - BP1/BP2/BP3/BP4
AP1/AP2/AP3/AP4 SIMILAR
Scale 1:20



SECTION A
1:20 - A1

BORE HOLE 1 - 1.1m SILTY CLAY/CLAYEY SAND (REFER TO GEOTECHNICAL INVESTIGATION REPORT NO: '84701.00' BY 'DOUGLAS PARTNERS')

BORE HOLE 2, 1.75m SILTY CLAY/CLAYEY SAND (REFER TO GEOTECHNICAL INVESTIGATION REPORT NO: '84701.00' BY 'DOUGLAS PARTNERS')

BORE HOLE 1, 1.1 - 1.3m EXTREMELY LOW STRENGTH SANDSTONE (REFER TO GEOTECHNICAL INVESTIGATION REPORT NO: '84701.00' BY 'DOUGLAS PARTNERS')

BORE HOLE 2, 1.75 - 2.23m EXTREMELY LOW STRENGTH SANDSTONE (REFER TO GEOTECHNICAL INVESTIGATION REPORT NO: '84701.00' BY 'DOUGLAS PARTNERS')

BORE HOLE 1, 1.30 - 7.46m MEDIUM TO HIGH STRENGTH SANDSTONE (REFER TO GEOTECHNICAL INVESTIGATION REPORT NO: '84701.00' BY 'DOUGLAS PARTNERS')

BORE HOLE 2, 2.23 - 5.56m EXTREMELY LOW STRENGTH SANDSTONE (REFER TO GEOTECHNICAL INVESTIGATION REPORT NO: '84701.00' BY 'DOUGLAS PARTNERS')

5.56 - 6.95m LOW TO MEDIUM STRENGTH LAMINITE (REFER TO GEOTECHNICAL INVESTIGATION REPORT NO: '84701.00' BY 'DOUGLAS PARTNERS')

DEPTHS ARE DIAGRAMATIC - NTS

DO NOT SCALE DRAWINGS. VERIFY ALL DIMENSIONS ON SITE.

CONCEPT PLANS
NOT FOR CONSTRUCTION

REVISION	DESCRIPTION	DATE	REVISION	DESCRIPTION	DATE
A	RE-ISSUE TO QUANTITY SURVEYOR	24.06.15			
B	90% ISSUE	29.06.15			
C	COUNCIL APPROVAL	19.08.15			



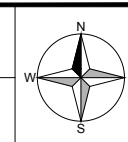
Postal Address: PO Box 1180, Gosford NSW 2250
 Central Coast Office: Suite 35, The Avenue, Mt Penang, Portlands, Kariong NSW 2250
 Ph 02 4340 1911 Fax 02 4340 1544
 Newcastle Office: Shop 113, The Junction Village Centre, Kennick Street, The Junction NSW 2291
 Ph 02 4992 4414



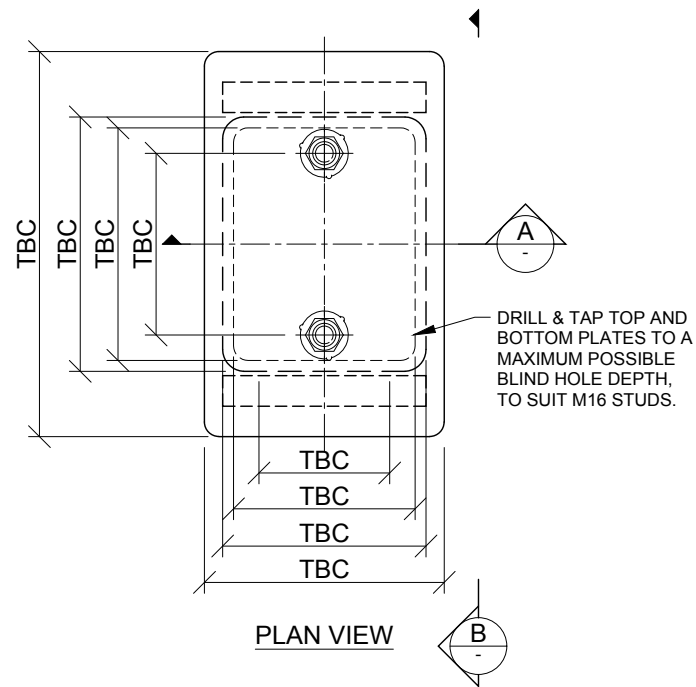
ADDRESS WINNEY BAY RESERVE COPACABANA N.S.W.
 PROJECT 5 LANDS COASTAL WALKWAY - STAGE 5 CAPTAIN COOK LOOKOUT TO WINNEY BAY

DRAWING TITLE BRIDGE PILE AND ABUTMENT STRUCTURAL DETAIL
 ANTHONY JOHN GRIFFITHS MIE AUST CPENG 2342830

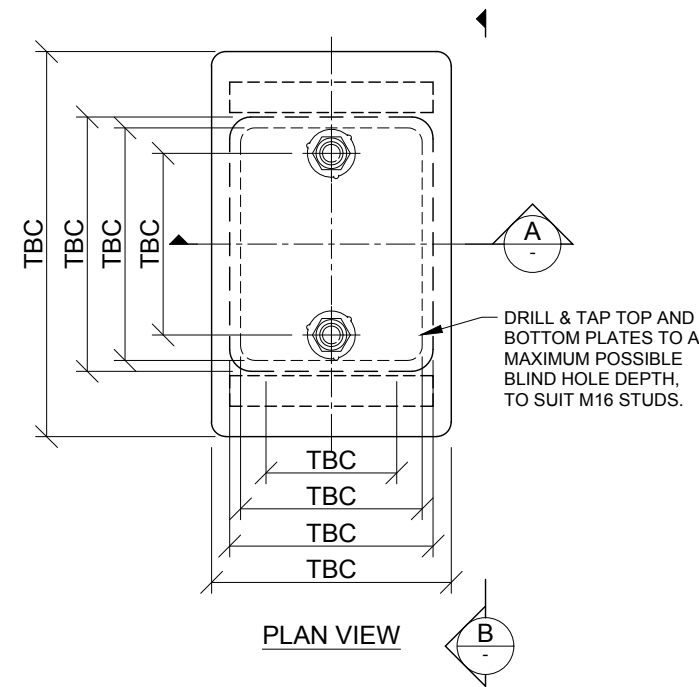
SCALE	1:20	INT.	SHEET
DRAWN	JG/CW		A4.05
DESIGNED	CF		
CHECKED	AJG		
DATE	JANUARY 2015		
JOB NUMBER	20140492		



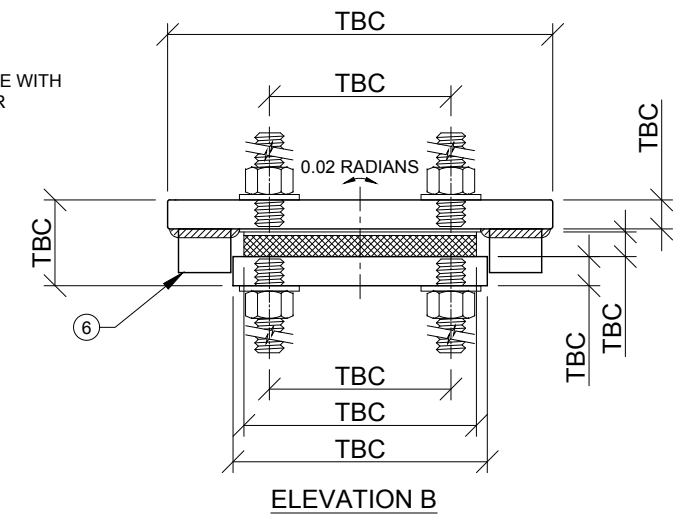
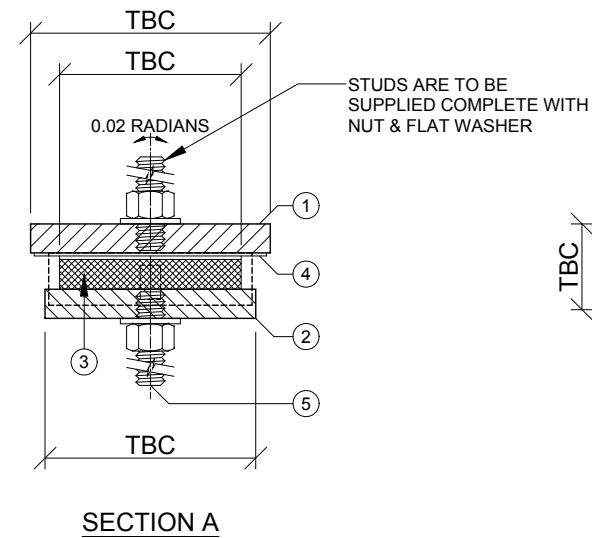
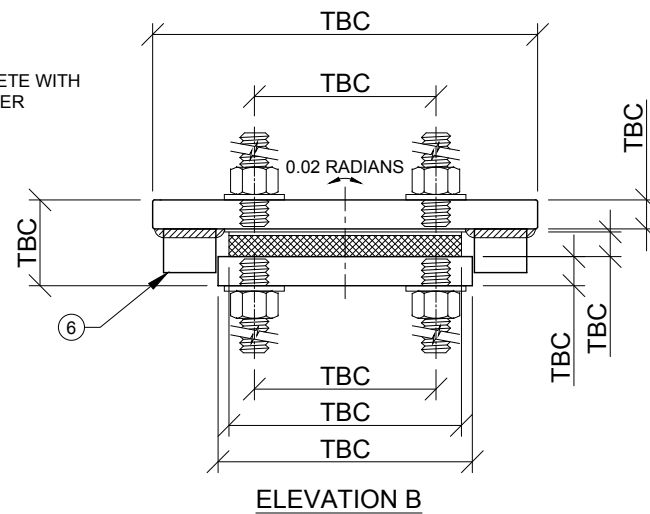
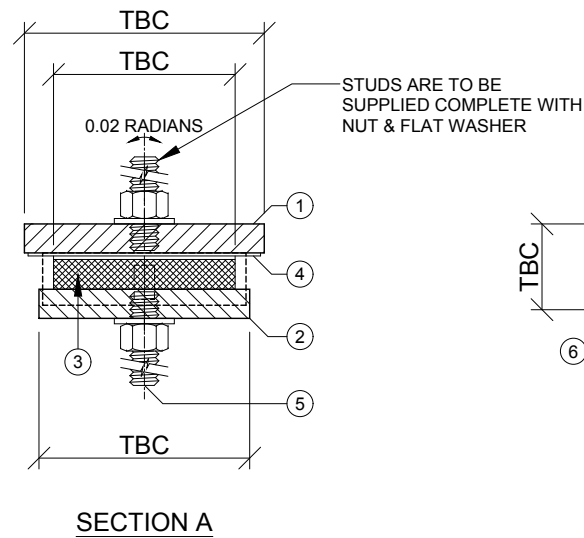
A1



BEARING DESIGN PARAMETERS	
MAXIMUM VERTICAL WORKING LOAD	= 200 kN
MAXIMUM TRANSVERSE WORKING LOAD	= 60 kN
ROTATION	= 0.02 Rad.
HLD/FX-200 PARTS SCHEDULE	



BEARING DESIGN PARAMETERS	
MAXIMUM VERTICAL WORKING LOAD	= 200 kN
MAXIMUM TRANSVERSE WORKING LOAD	= 60 kN
MOVEMENT CAPACITY	= +/-40mm
ROTATION	= 0.02 Rad.
HLD/SG-200 PARTS SCHEDULE	



BEARINGS (2 REQUIRED) - ABUTMENT HEADSTOCK 'A' ONLY

Scale 1:2.5

'HERCULES ENGINEERING' PART IDENTIFICATION REFERENCE: HLD/FX-200
ALL DIMENSIONS AND DETAILS TO BE CONFIRMED BY 'HERCULES ENGINEERING'

BEARINGS (2 REQUIRED) - ABUTMENT HEADSTOCK 'B' ONLY

Scale 1:2.5

'HERCULES ENGINEERING' PART IDENTIFICATION REFERENCE: HLD/SG-200
ALL DIMENSIONS AND DETAILS TO BE CONFIRMED BY 'HERCULES ENGINEERING'

CONCEPT PLANS
NOT FOR CONSTRUCTION

DO NOT SCALE DRAWINGS. VERIFY ALL DIMENSIONS ON SITE.

REVISION	DESCRIPTION	DATE	REVISION	DESCRIPTION	DATE
A	RE-ISSUE TO QUANTITY SURVEYOR	24.06.15			
B	90% ISSUE	29.06.15			
C	COUNCIL APPROVAL	19.08.15			



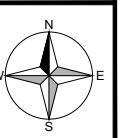
Postal Address: PO Box 1180, Gosford NSW 2250
Central Coast Office: Suite 35, The Avenue, Mt Penang, Piarlands, Karlong NSW 2250
Ph 02 4340 1911 Fax 02 4340 1544
Newcastle Office: Shop 113, The Junction Village Centre, Kennick Street, The Junction NSW 2291
Ph 02 4962 4414



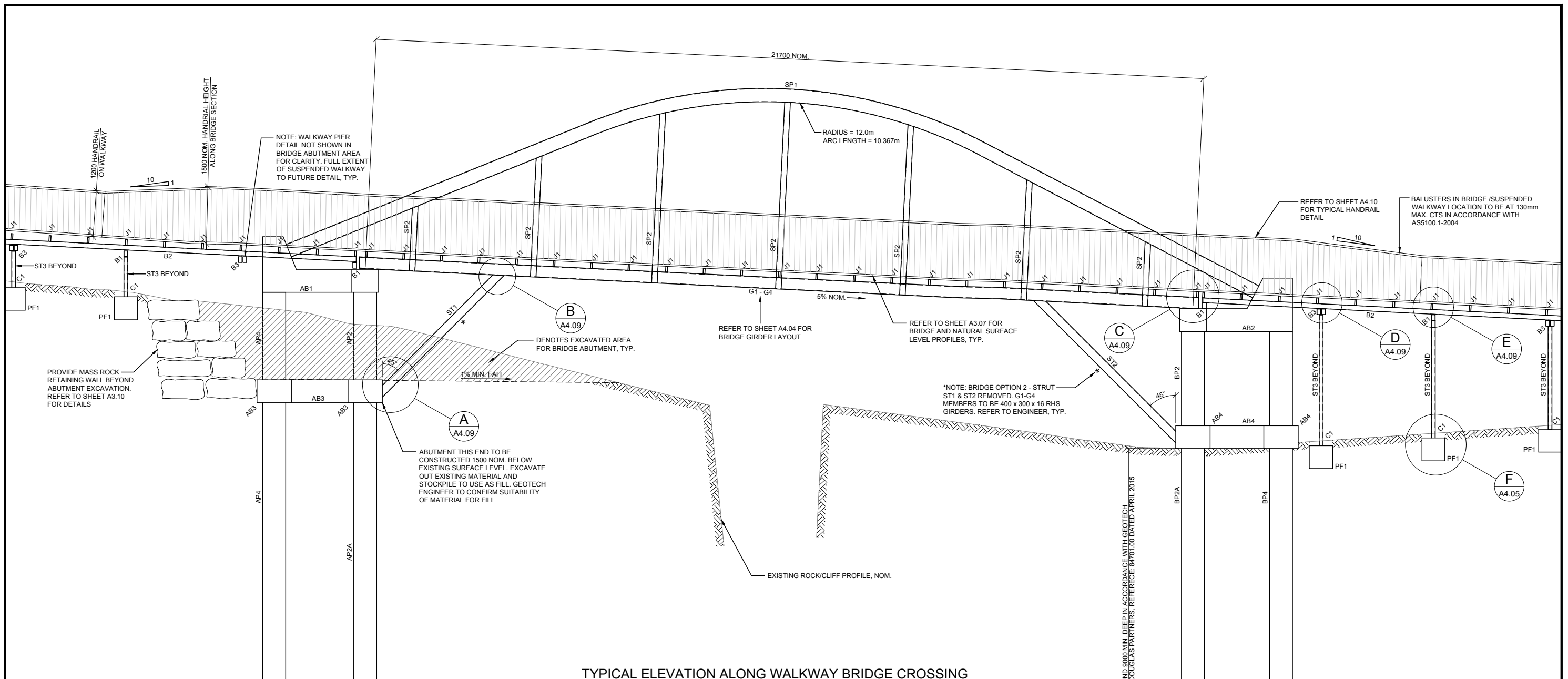
ADDRESS: WINNEY BAY RESERVE COPACABANA N.S.W.
PROJECT: 5 LANDS COASTAL WALKWAY - STAGE 5 CAPTAIN COOK LOOKOUT TO WINNEY BAY

DRAWING TITLE: BRIDGE BEARING PAD DETAILS
ANTHONY JOHN GRIFFITHS
MIE AUST CPENG 2342830

SCALE	1:2.5	INT.	SHEET
DRAWN	JG/CW		A4.06
DESIGNED	CF		
CHECKED	AJG		
DATE	JANUARY 2015		
JOB NUMBER	20140492		



A1



TYPICAL ELEVATION ALONG WALKWAY BRIDGE CROSSING

SCALE 1:50

MEMBER SCHEDULE

MARK	SIZE	REMARKS
G1	300x200x12.5 RHS	STEEL GIRDER
G2	300x200x12.5 RHS	STEEL GIRDER
G3	300x200x12.5 RHS	STEEL GIRDER
G4	300x200x12.5 RHS	STEEL GIRDER
ST1	219.1x6.4 CHS	STEEL STRUT
ST2	219.1x6.4 CHS	STEEL STRUT
ST3	101.6x3.2 CHS	STEEL STRUT - REFER SHEET A4.09
SP1	355.6x12.7 CHS	STEEL SPINE MEMBER
SP2	101.6x3.2 CHS	STEEL SPINE RIB MEMBERS
J1	150x50x5.0 RHS - 1000 MAX. CTS	BRIDGE STEEL JOIST MEMBERS
B1	150x100x6.0 RHS	STEEL BEARER
B2	125x125x5.0 SHS	STEEL BEARER
B3	2/150x100x6.0 RHS	STEEL BEARER
C1	101.6x3.2 CHS	STEEL COLUMN
AB1	CONCRETE ABUTMENT	REFER SHEET A4.05
AB2	CONCRETE ABUTMENT	REFER SHEET A4.05
AB3	CONCRETE ABUTMENT	REFER SHEET A4.05
AB4	CONCRETE ABUTMENT	REFER SHEET A4.05
AP2	CONCRETE PILE	REFER SHEET A4.05
AP2A	CONCRETE PILE	REFER SHEET A4.05
AP4	CONCRETE PILE	REFER SHEET A4.05
BP2	CONCRETE PILE	REFER SHEET A4.05
BP2A	CONCRETE PILE	REFER SHEET A4.05
BP4	CONCRETE PILE	REFER SHEET A4.05
PF1	CONCRETE PAD FOOTING	REFER SHEET A4.05

CONCEPT PLANS
NOT FOR CONSTRUCTION

DO NOT SCALE DRAWINGS. VERIFY ALL DIMENSIONS ON SITE.

REVISION	DESCRIPTION	DATE	REVISION	DESCRIPTION	DATE
A	RE-ISSUE TO QUANTITY SURVEYOR	24.06.15			
B	90% ISSUE	29.06.15			
C	COUNCIL APPROVAL	19.08.15			

Multi-discipline Engineering

Postal Address: PO Box 1180, Gosford NSW 2250
 Central Coast Office: Suite 35, The Avenue, Mt Penang, Piarlandsie, Kariong NSW 2250
 Ph 02 4340 1911 Fax 02 4340 1544
 Newcastle Office: Shop 113, The Junction Village Centre, Kennick Street, The Junction NSW 2291
 Ph 02 4992 4414

5 LANDS WALK
 CENTRAL COAST · NEW SOUTH WALES

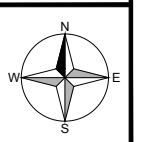
ADDRESS
 WINNEY BAY RESERVE
 COPACABANA N.S.W.

PROJECT
 5 LANDS COASTAL WALKWAY - STAGE 5
 CAPTAIN COOK LOOKOUT TO WINNEY BAY

DRAWING TITLE
 TYPICAL BRIDGE ELEVATION

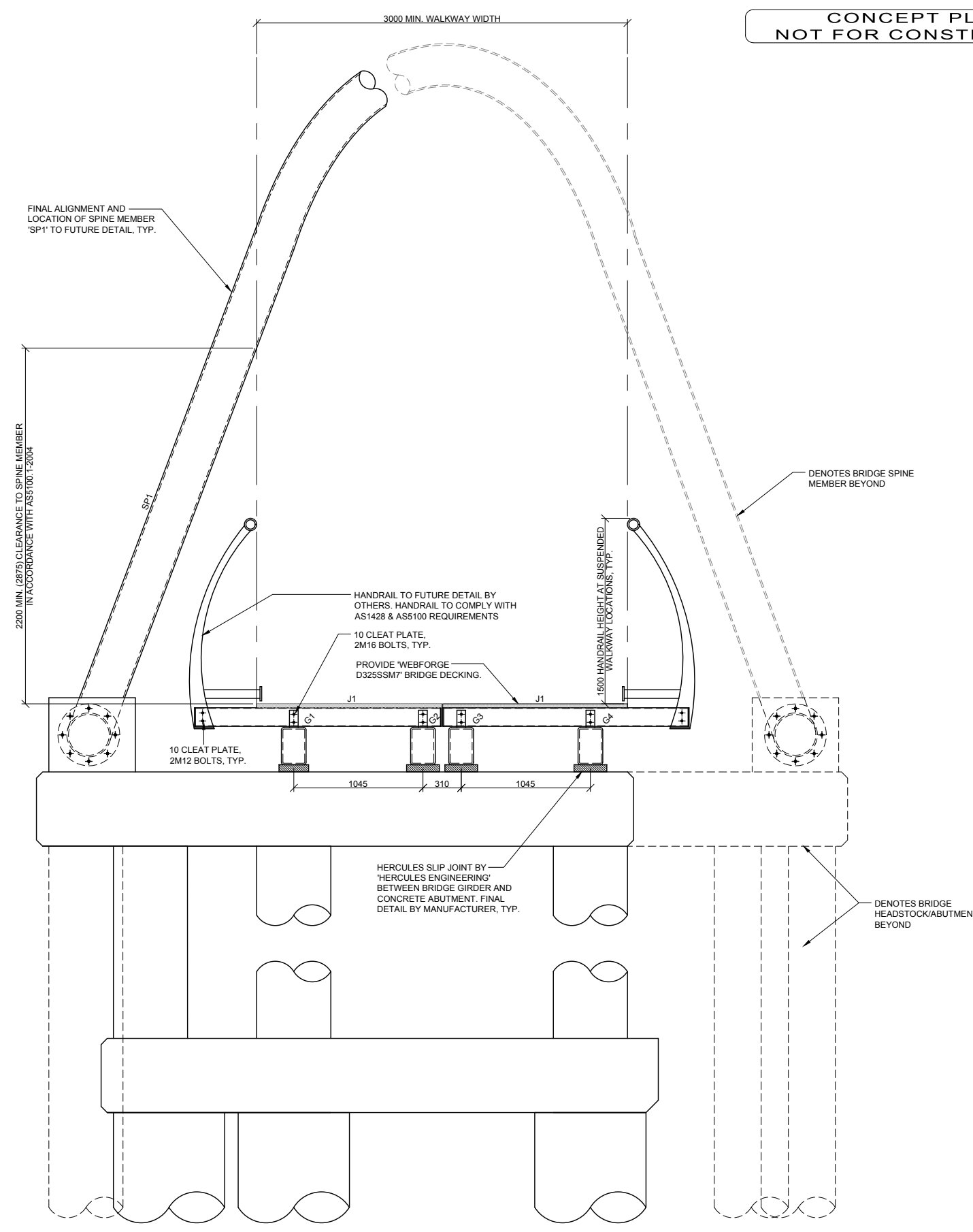
ANTHONY JOHN GRIFFITHS
 MIE AUST CPENG 2342830

SCALE	1:50	INIT.	JG/CW	SHEET	A4.07
DRAWN	JG/CW				
DESIGNED	CF				
CHECKED	AJG				
DATE	JANUARY 2015				
JOB NUMBER	20140492				



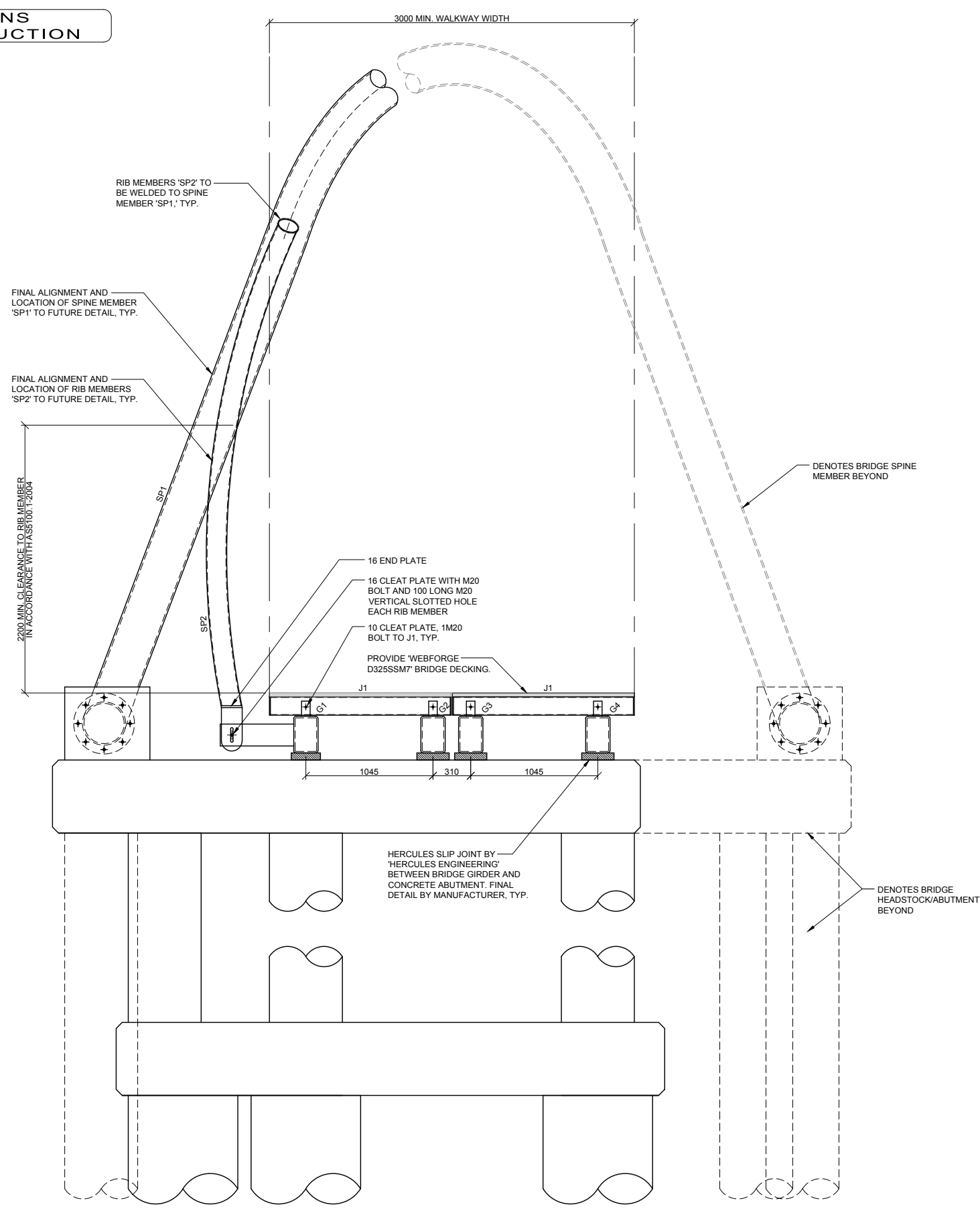
A1

CONCEPT PLANS
NOT FOR CONSTRUCTION



TYPICAL SECTION THROUGH WALKWAY BRIDGE SHOWING HANDRAIL DETAIL

DO NOT SCALE DRAWINGS. VERIFY ALL DIMENSIONS ON SITE. SCALE 1:20



TYPICAL SECTION THROUGH WALKWAY BRIDGE SHOWING SPINE RIB MEMBERS

DO NOT SCALE DRAWINGS. VERIFY ALL DIMENSIONS ON SITE. SCALE 1:20

REVISION	DESCRIPTION	DATE	REVISION	DESCRIPTION	DATE
A	RE-ISSUE TO QUANTITY SURVEYOR	24.06.15			
B	90% ISSUE	29.06.15			
C	COUNCIL APPROVAL	19.08.15			



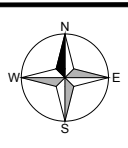
Postal Address: PO Box 1180, Gosford NSW 2250
 Central Coast Office: Suite 35, The Avenue, Mt Penang, Piarlands, Kariong NSW 2250
 Ph 02 4340 1911 Fax 02 4340 1544
 Newcastle Office: Shop 113, The Junction Village Centre, Kennick Street, The Junction NSW 2291
 Ph 02 4992 4414

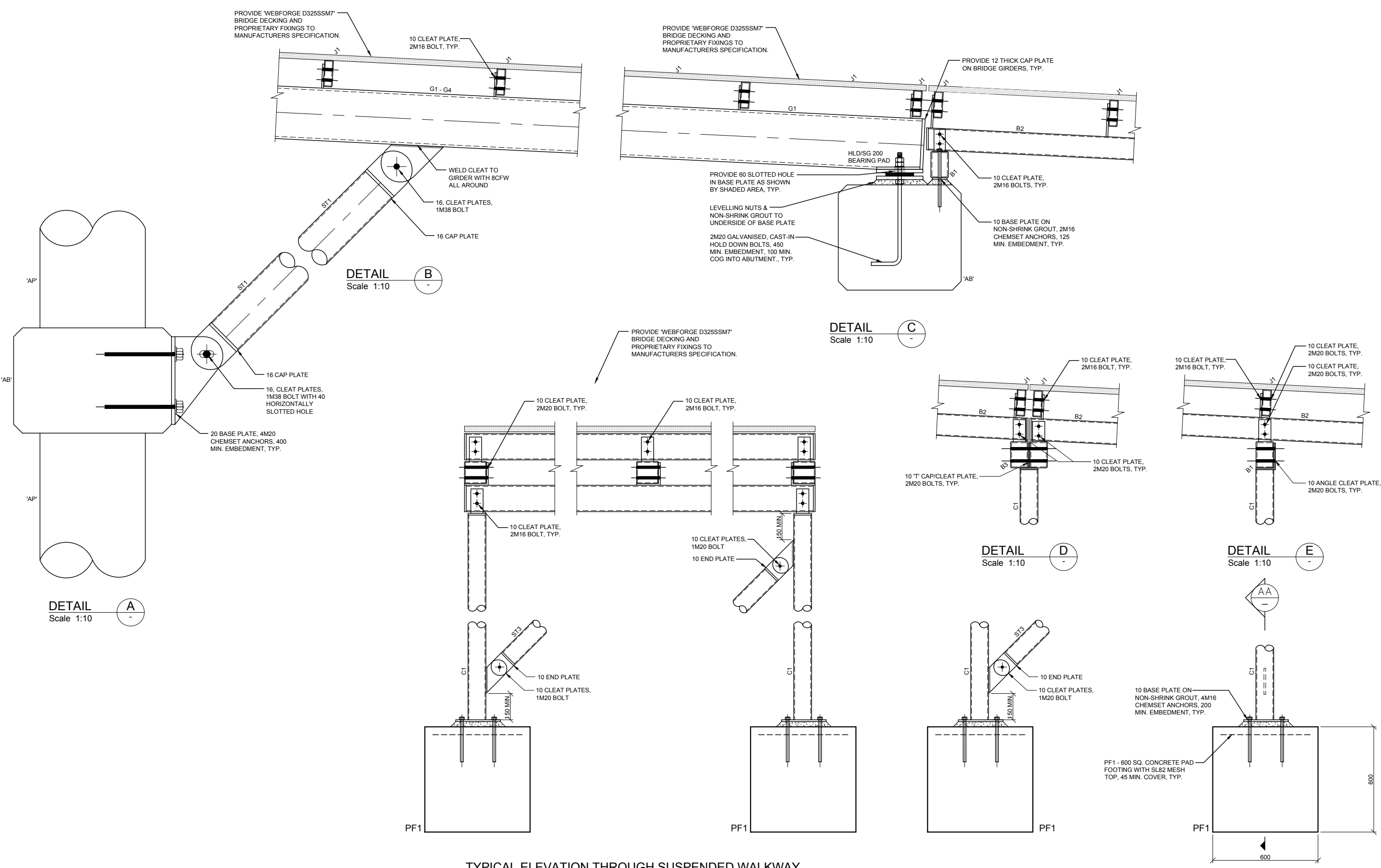


ADDRESS WINNEY BAY RESERVE COPACABANA N.S.W.
 PROJECT 5 LANDS COASTAL WALKWAY - STAGE 5 CAPTAIN COOK LOOKOUT TO WINNEY BAY

DRAWING TITLE TYPICAL BRIDGE SECTION
 ANTHONY JOHN GRIFFITHS
 MIE AUST CPENG 2342830

SCALE	1:20	INT.	SHEET
DRAWN	JG/CW		A4.08
DESIGNED	CF		
CHECKED	AJG		
DATE	JANUARY 2015		
JOB NUMBER	20140492		





TYPICAL ELEVATION THROUGH SUSPENDED WALKWAY
Scale 1:10

SECTION AA
Scale 1:10

DETAIL F
Scale 1:10

CONCEPT PLANS
NOT FOR CONSTRUCTION

DO NOT SCALE DRAWINGS. VERIFY ALL DIMENSIONS ON SITE.

REVISION	DESCRIPTION	DATE	REVISION	DESCRIPTION	DATE
A	RE-ISSUE TO QUANTITY SURVEYOR	24.06.15			
B	90% ISSUE	29.06.15			
C	COUNCIL APPROVAL	19.08.15			



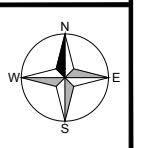
Postal Address: PO Box 1180, Gosford NSW 2250
 Central Coast Office: Suite 35, The Avenue, Mt Penang, Piarlands, Kariong NSW 2250
 Ph 02 4340 1911 Fax 02 4340 1544
 Newcastle Office: Shop 113, The Junction Village Centre, Kennick Street, The Junction NSW 2291
 Ph 02 4992 4414



ADDRESS WINNEY BAY RESERVE COPACABANA N.S.W.
 PROJECT 5 LANDS COASTAL WALKWAY - STAGE 5 CAPTAIN COOK LOOKOUT TO WINNEY BAY

DRAWING TITLE STRUCTURAL CONNECTION DETAILS SHEET 1
 ANTHONY JOHN GRIFFITHS MIE AUST CPENG 2342830

SCALE	1:10	INT.	SHEET
DRAWN	JG/CW		A4.09
DESIGNED	CF		
CHECKED	AJG		
DATE	JANUARY 2015		
JOB NUMBER	20140492		



A1